

THE FORMOST TEXTILE BAGGER

Quality is "First and Formost"

**GTS
Bagger**



SERVO OVERHEAD OPTION

QUICK, SIMPLE CHANGEOVER

EFFICIENT AND SAFE

UP TO 60 BAGS PER MINUTE

GENTLE PRODUCT HANDLING

INCREASED PRODUCTION

GENTLE, DEPENDABLE BAGGING

The Formost Fuji GTS Variety Bagger is adaptable to many diverse textile bagging applications. Shirts, tablecloths, linens and other items are easily bagged automatically. Specially designed paddles move product into the bags with a gentle hand-like motion.

The GTS Variety Bagger is compact, durable and carefully engineered for trouble-free operation. It will save maintenance costs, too. All parts are readily accessible for easy cleaning and maintenance.

FORMOST FUJI CORPORATION

19211 144th Avenue NE • Woodinville, WA 98072

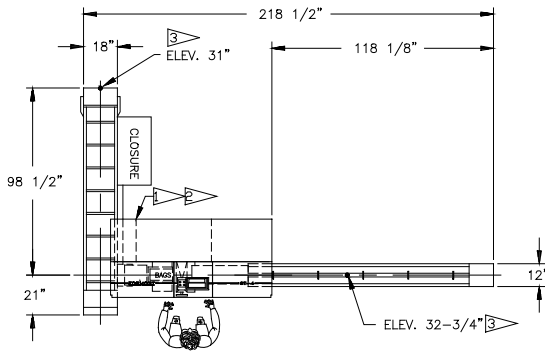
Phone: 425-483-9090 • Fax: 425-486-5656 • email: salesoffice@formostfuji.com

www.formostfuji.com

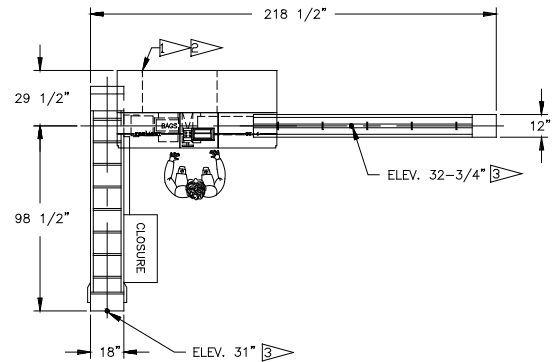
FORMOST

FORMOST

Reliable Bagging



Left-hand variety bagger with rear discharge

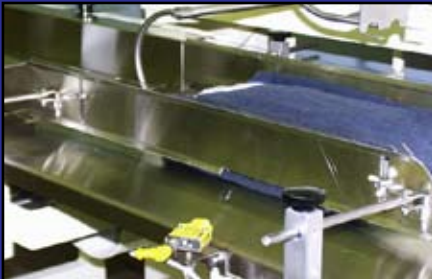


Left-hand variety bagger with front discharge

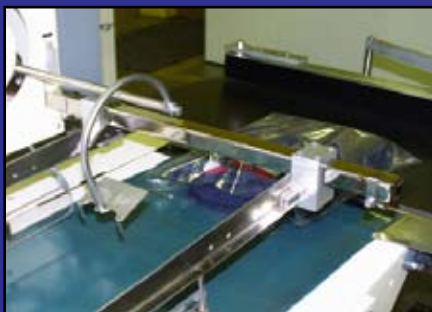
The bag opening system prepares each bag for product insertion.



A transfer paddle gently pushes the product through the openers and into the bag, creating a tight bag for best appearance.



After the product is placed in the bag, the bag openers release and product motion separates the bag from the wicket.



The Formost Fuji GTS Bagger is available in several left and right hand configurations.

Optional Features

- Automatic bag closure device
- Wide product capability
- Spare Parts Kit
- Continuous or multi-wicket bag feed

Formost Fuji GTS Variety Bagger					
Model	Length	Paddles	Paddle Spacing	Product Length	Bag Length
GTS-4	86"	4	40"	6" to 16"	20" max

These specifications may vary according to special applications. Specifications are based upon the latest information available at the time of publication. Formost Fuji reserves the right to make changes in materials, equipment and specifications without prior notice.

FORMOST FUJI CORPORATION

19211 144th Avenue NE • Woodinville, WA 98072

Phone: 425-483-9090 • Fax: 425-486-5656 • email: salesoffice@formostfuji.com

www.formostfuji.com