

FORMOST FUJI

THE FORMOST FFB BREAD BAGGER

Quality is "First and Formost"



FFB Bagger

**GENTLE,
DEPENDABLE
BAGGING**

POSITIVE BREAD CONTROL

QUICK, SIMPLE CHANGEOVER

MAINTAINS PRODUCT QUALITY

GENTLE PRODUCT HANDLING

UP TO 90 BAGS PER MINUTE

PROVEN DEPENDABILITY

Bread feeds directly from your flighted conveyor or slicer into the Formost Fuji FFB Bagger. The unit can also provide one person operation for unsliced bread or products in trays. Specially designed paddles move the loaf into the bag with a gentle hand-like motion. Our innovative bag opening system is available optionally to provide for greater tolerance of irregularities.

The FFB Bagger is compact, durable and carefully engineered for trouble-free operation. It will save maintenance costs, too. All parts are readily accessible for easy cleaning and maintenance.

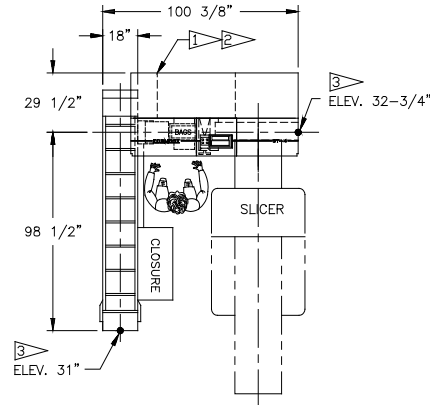
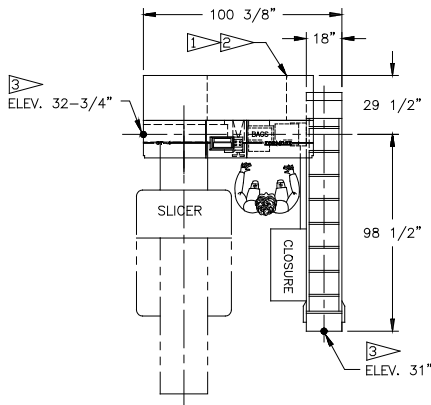
FORMOST FUJI CORPORATION

19211 144th Avenue NE • Woodinville, WA 98072

Phone: 425-483-9090 • Fax: 425-486-5656 • email: salesoffice@formostfuji.com

www.formostfuji.com

Reliable Bread Bagging

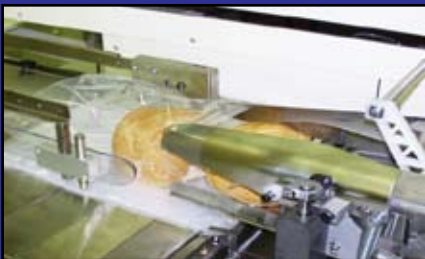


The Formost JV-60 is available in several left and right hand configurations.

The bag opening system prepares each bag for product insertion. Different designs are available depending upon the product. *Optional FO openers are shown here.*



The specially designed paddles gently push the loaf through the openers and into the bag, creating a tight bag for best appearance.



After the bread is placed in the bag, the bag openers release and product motion separates the bag from the wicket.



Optional Features

- Automatic bag closure device
- Wide product capability
- Spare Parts Kit
- Rear infeed configuration
- In-line infeed configuration
- Continuous or multi-wicket bag feed
- FO bag openers

FORMOST FUJI FFB BAGGER SPECIFICATIONS

LENGTH	86" (2185 mm)	PRODUCT LENGTH	6" (152 mm) to 16" (406 mm)
WIDTH	35" (889 mm)	PRODUCT WIDTH	3" (76 mm) to 8" (203 mm)
HEIGHT	52" (1321 mm)	PRODUCT HEIGHT	2" (51 mm) to 5.5" (140 mm)
WEIGHT	1600 lbs. (727 kg)	BAG LENGTH	10" (254 mm) to 22" (559 mm)
SPEED	20 to 90 ppm	BAG WIDTH	5" (127 mm) to 12" (305 mm)
ELECTRICAL	230/380/460V, 3 phase 50/60 HZ		

These specifications may vary according to special applications. Specifications are based upon the latest information available at the time of publication. Formost reserves the right to make changes in materials, equipment and specifications without prior notice.

FORMOST FUJI CORPORATION

19211 144th Avenue NE • Woodinville, WA 98072

Phone: 425-483-9090 • Fax: 425-486-5656 • email: salesoffice@formostfuji.com

www.formostfuji.com