

# THE FORMOST FUJI BUN SYSTEM

*Quality is "First and Formost"*

**GTS  
Bagger**



**Handles difficult to stack  
hoagies and kaiser rolls too!**

**SERVO OVERHEAD OPTION**

**LIMITED STACK TRAVEL**

**QUICK, SIMPLE CHANGEVER**

**MAINTAINS PRODUCT QUALITY**

**GENTLE PRODUCT HANDLING**

**INCREASED PRODUCTION**



## **BUN STACKING AND BAGGING IN ONE SYSTEM**

Formost Fuji's new bun system is interfaced to the most dependable and efficient bagger on the market, the Formost GTS bagger. With this new design we are able to run a variety of buns and rolls in all common configurations with minimal changeover required.

This offers you a more efficient bun packaging line for increased production and a reduction in labor costs. We have been able to achieve this by incorporating a high speed grouper and simplified inline bun stacker with the reliability of the Formost GTS bagger.

### **FORMOST FUJI CORPORATION**

19211 144<sup>th</sup> Avenue NE • Woodinville, WA 98072

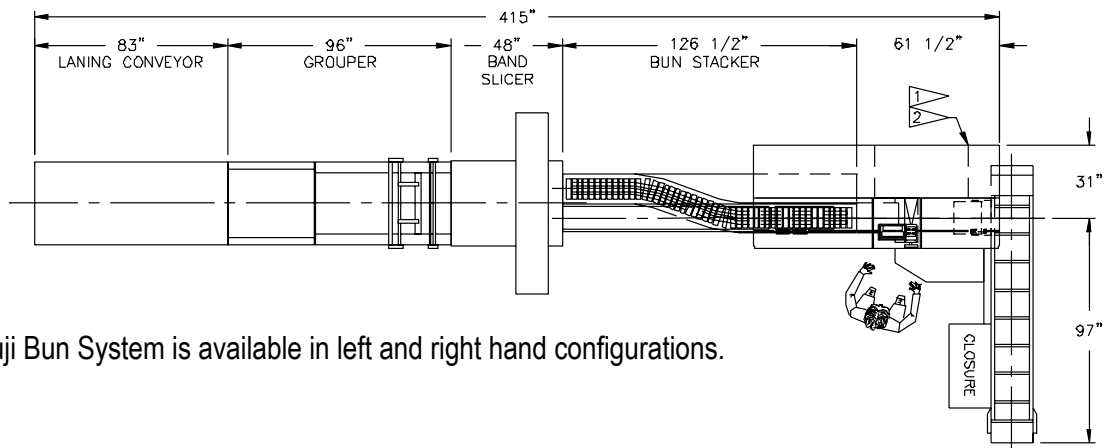
Phone: 425-483-9090 • Fax: 425-486-5656 • email: [salesoffice@formostfuji.com](mailto:salesoffice@formostfuji.com)

**[www.formostfuji.com](http://www.formostfuji.com)**

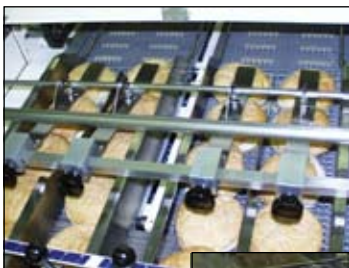
**FORMOST**

**FORMOST**

# Reliable Bagging



The Formost Fuji Bun System is available in left and right hand configurations.



Buns are grouped according to pack pattern. After slicing, bun groups are split and transferred separately to the stacking station.



Buns are stacked immediately prior to bagging minimizing stack transfer. Buns are pushed gently into awaiting bags.



## Optional Features

- Front, rear or in-line discharge
- Standard discharge
- Continuous, rotary or multi-wicket bag feed
- Spare Parts Kit
- Product backlog monitoring system to maximize operation

Formost Fuji Bun System					
Model	Length	Paddles	Paddle Spacing	Product Length	Bag Length
GTS-5	106"	5	40"	6" to 14.5"	20" max

These specifications may vary according to special applications. Specifications are based upon the latest information available at the time of publication. Formost reserves the right to make changes in materials, equipment and specifications without prior notice.

## FORMOST FUJI CORPORATION

19211 144<sup>th</sup> Avenue NE • Woodinville, WA 98072

Phone: 425-483-9090 • Fax: 425-486-5656 • email: salesoffice@formostfuji.com

[www.formostfuji.com](http://www.formostfuji.com)